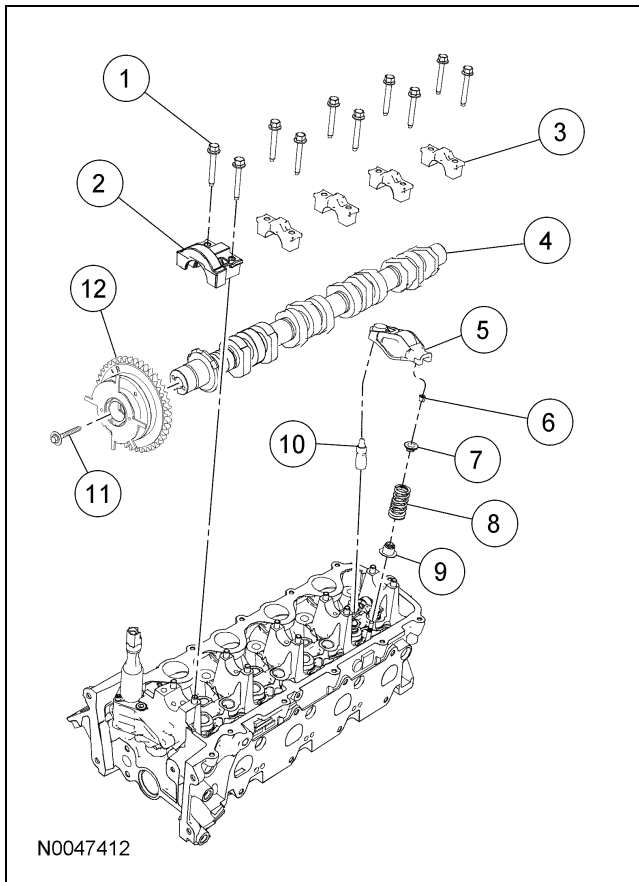


## IN-VEHICLE REPAIR

### Valve Train Components — Exploded View

NOTE: LH shown, RH similar.



Item	Part Number	Description
11	6279	Camshaft phaser and sprocket bolt
12	6C524	Camshaft phaser and sprocket

Item	Part Number	Description
1	N807834	Camshaft bearing cap bolt (10 required)
2	6B284	Camshaft front bearing cap
3	6B280	Camshaft bearing cap (4 required)
4	6C255 LH/ 6251 RH	Camshaft
5	6529	Camshaft roller follower (12 required)
6	6518	Valve spring retainer key (24 required)
7	6514	Valve spring retainer (12 required)
8	6513	Valve spring (12 required)
9	6A517	Valve seal (12 required)
10	6C501	Hydraulic lash adjuster (12 required)

(Continued)

---

**IN-VEHICLE REPAIR (Continued)**

1. For additional information, refer to the procedures in this section.
-