

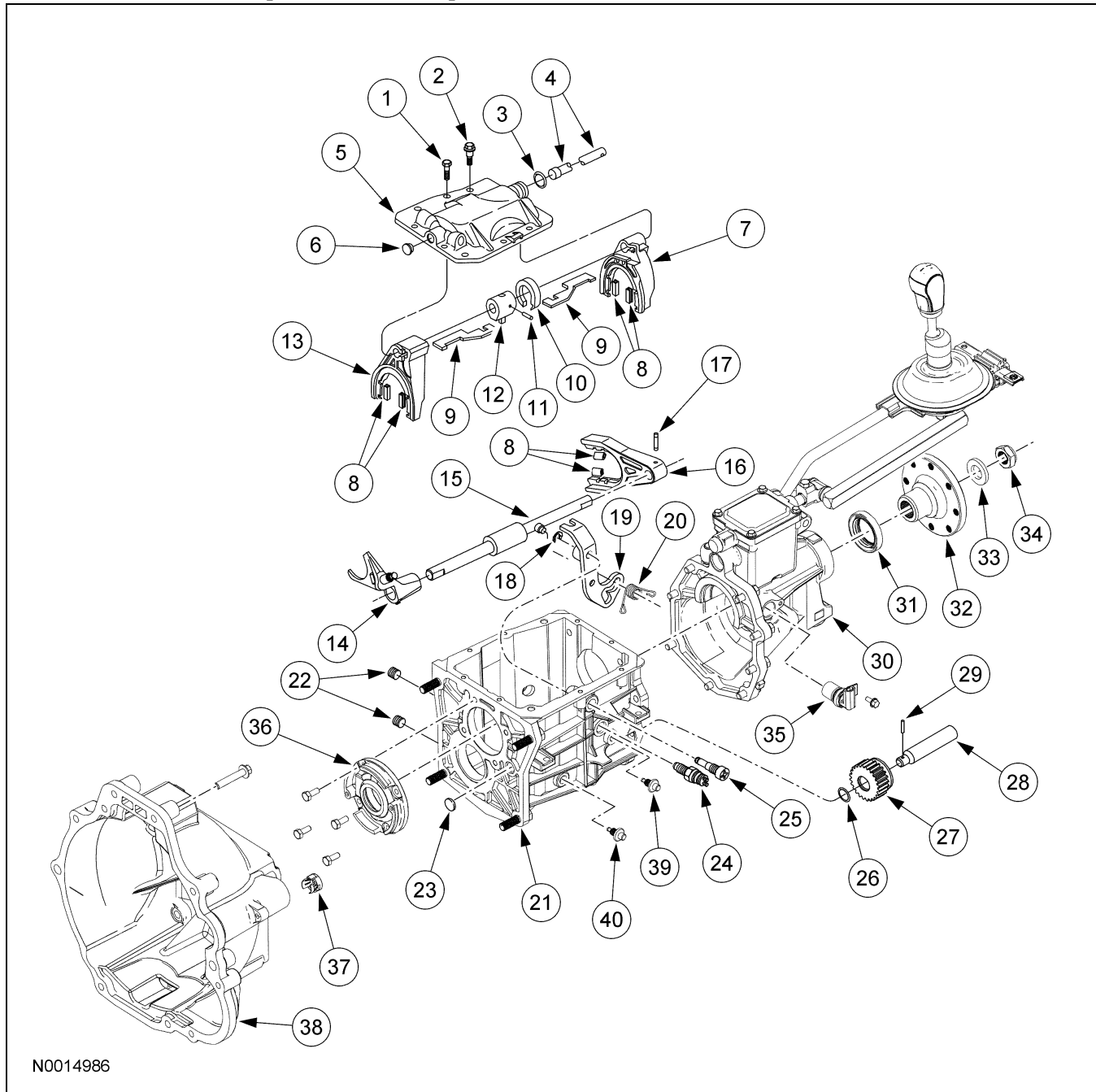
DESCRIPTION AND OPERATION

Manual Transmission

The T5OD 5-speed transmission:

- 5th speed gear functions as an overdrive gear.
- forward gears are synchronized and helical cut.
- shift interlock system prevents the engagement of more than one gear.

Transmission Internal Components, Shift Components and Case — Disassembled View



N0014986

DESCRIPTION AND OPERATION (Continued)

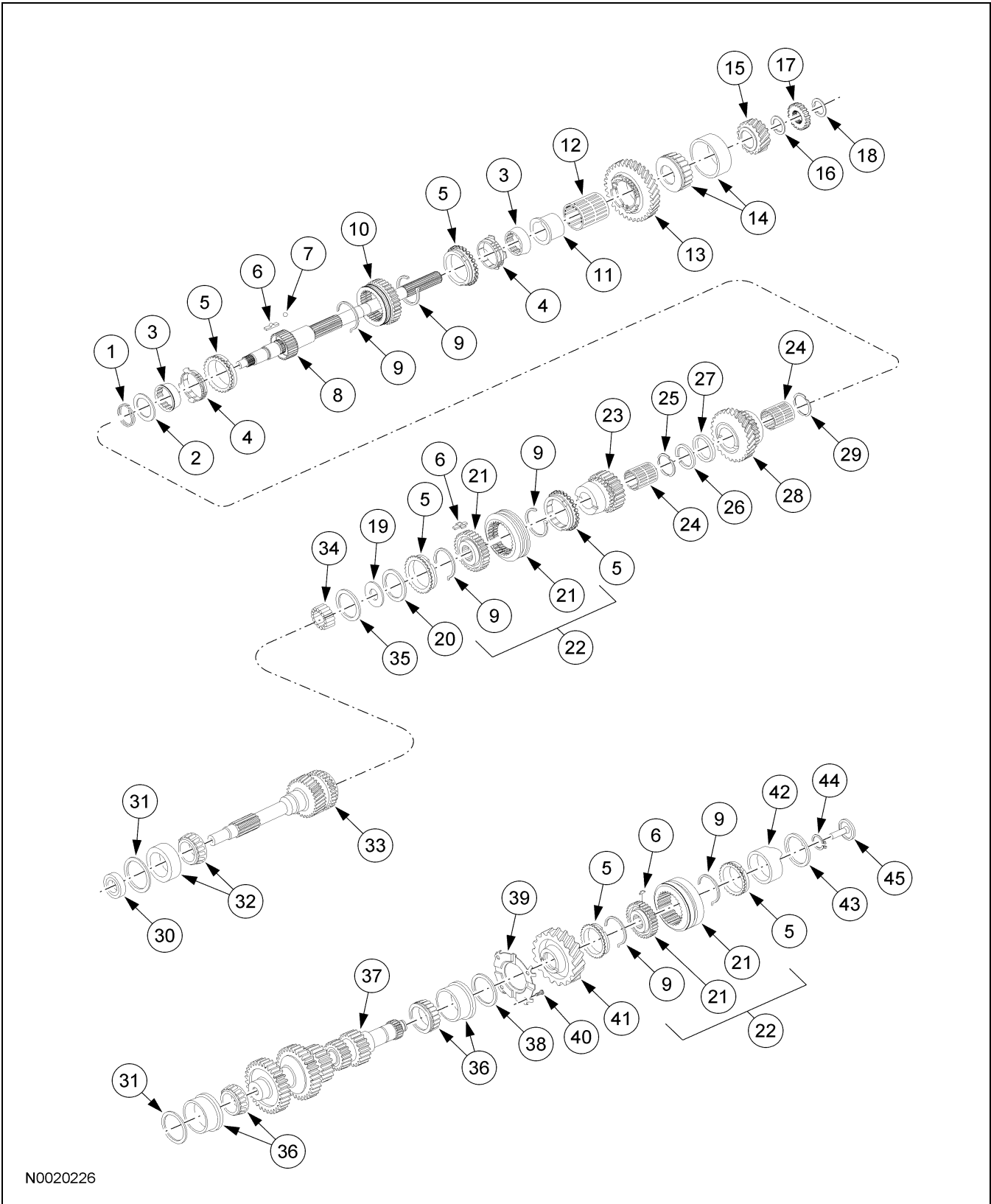
Item	Part Number	Description
1	E602162-S71	Bolt
2	N800037-S2	Bolt
3	87038-S91	O-ring
4	7358	Main shift control shaft
5	7222	Case cover
6	74113-S	Plug
7	7230	Gear shifter fork 1-2 shift
8	7L082	Gear shift fork insert
9	7N232	Gear shift plate
10	7K201	Gear selector interlock sleeve
11	305078-S	Pin
12	7302	Selector body
13	7230	Gear shifter fork 3-4 shift
14	7230	Reverse shift fork
15	7240	Reverse gear shift rail
16	7230	Fifth gear shifter fork
17	357479-S15	Split pin
18	371197-S	Reverse gearshift lever retaining clip
19	7K002	Reverse gearshift lever
20	7E485	Reverse positioning spring

(Continued)

Item	Part Number	Description
21	7005	Case
22	87675-S	Case plug
23	74113-S	Plug
24	15520	Reversing lamp switch
25	7K024	Shift lever reverse pin
26	7E397	Reverse gear overtravel stop
27	7141	Reverse idler gear and bushing
28	7140	Reverse idler gear shaft
29	357479-S15	Pin
30	7A039	Extension housing
31	7052	Extension housing fluid seal
32	4841	Rear flange
33	—	Washer
34	—	Nut
35	—	Vehicle Speed Sensor (VSS)
36	7050	Input shaft bearing retainer
37	—	Clutch slave cylinder retainer
38	—	Clutch housing
39	7A010	Drain plug
40	7A010	Fill plug

DESCRIPTION AND OPERATION (Continued)

Transmission Internal Components — Disassembled View



N0020226

DESCRIPTION AND OPERATION (Continued)

Item	Part Number	Description
1	7160	Output shaft bearing snap ring
2	7117	Second speed synchronizer thrust washer
3	7175	First and second gear synchronizer inner cone
4	7174	First and second gear synchronizer outer cone
5	7107	Synchronizer blocking ring
6	7A044	Synchronizer hub insert (also part of 7124)
7	7K218	First and second speed synchronizer hub ball
8	7061	Output shaft assembly
9	7109	Synchronizer hub insert spring (also part of 7124)
10	7124	Sleeve (also part of 7061)
11	7173	First gear bearing spacer
12	7127	First gear bearing
13	7100	First gear
14	7065	Output shaft rear bearing
15	7K316	Fifth speed driven gear
16	7064	Snap ring
17	7H150	Output shaft speed wheel
18	7064	Snap ring
19	7D234	Thrust bearing
20	7D235	Thrust washer
21	—	Synchronizer hub (part of 7124)
22	7124	Synchronizer assembly
23	7B340	Third gear
24	7B369	Third speed bearing
25	7B320	Third speed gear bearing spacer
26	—	Snap ring
27	7119	Thrust washer
28	7102	Second gear
29	7728	Second speed gear bearing spacer
30	7052	Input shaft seal
31	7693	Countershaft front bearing seal
32	7025	Input shaft bearing
33	7017	Input shaft

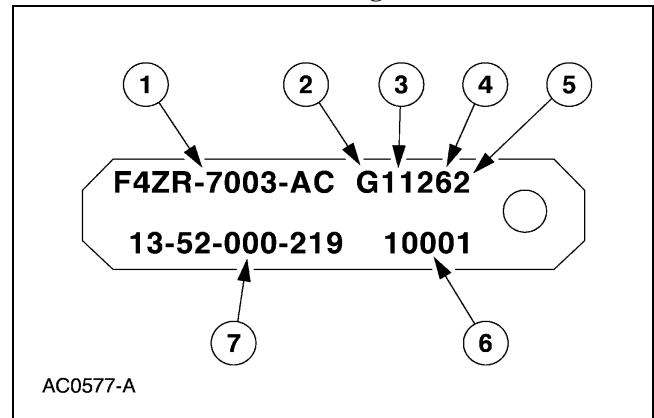
(Continued)

Item	Part Number	Description
34	7118	Roller bearing (15 required)
35	7L357	Input shaft bearing spacer
36	7F431	Countershaft bearing assembly
37	7113	Countershaft cluster gear
38	7L172	Countershaft rear bearing adjustment shim
39	7195	Countershaft rear bearing retainer
40	7C210	Bolt
41	7144	Fifth speed cluster gear
42	7M000	Reverse brake ring
43	7G042	Thrust washer
44	7059	Fifth speed synchronizer retaining snap ring
45	7L276	Oil pick-up funnel

Transmission Identification

The transmission identification tag is located under the lower left bolt that retains the extension housing to the case.

Transmission Identification Tag



Item	Part Number	Description
1	—	Transmission assembly number
2	—	Build date code — month
3	—	Build date code — day
4	—	Build date code — year
5	—	Shift Number
6	—	Serial number

(Continued)

DESCRIPTION AND OPERATION (Continued)

Item	Part Number	Description
7	—	Wg. identification number (Located on the extension housing bolt on the LH side of the transmission)
