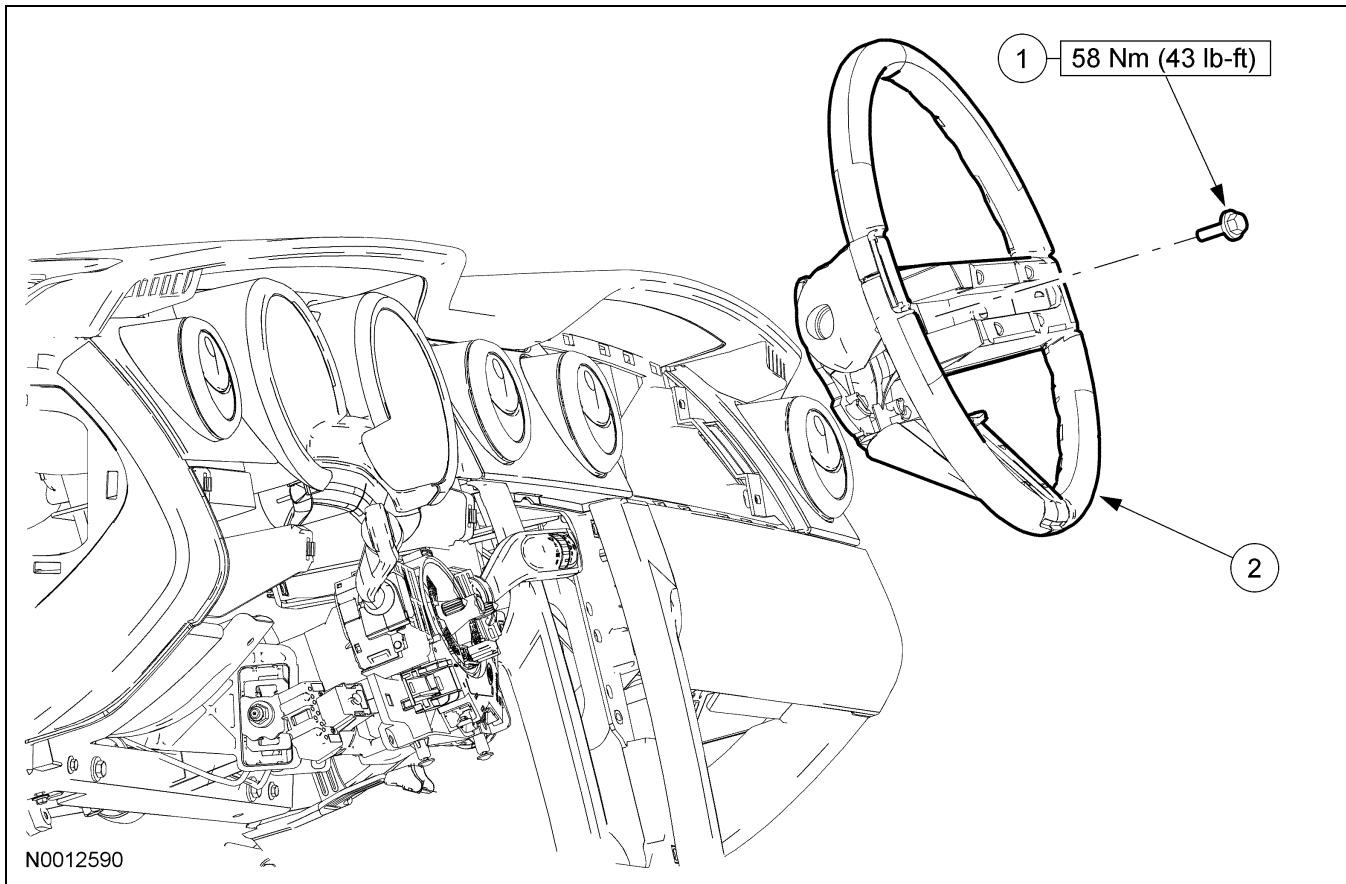


## REMOVAL AND INSTALLATION

### Steering Wheel



Item	Part Number	Description
1	043B13	Steering wheel bolt
2	3600	Steering wheel

#### Removal and Installation

- Place the steering wheel in the straight-ahead position and turn the ignition switch to the OFF position.
- Remove the driver air bag module. For additional information, refer to Section 501-20B.
- Remove and discard the steering wheel bolt.
  - To install, tighten to 58 Nm (43 lb-ft).
- Remove the steering wheel.
  - Route the connectors for the clockspring through the steering wheel.
- To install, reverse the removal procedure.