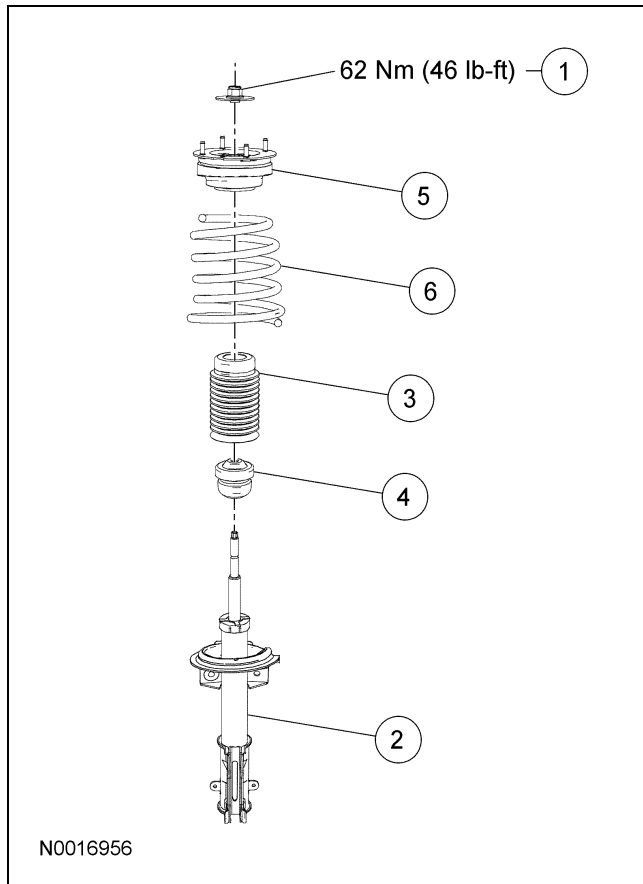


DISASSEMBLY AND ASSEMBLY

Strut and Spring Assembly



Item	Part Number	Description
1	W520215	Strut rod nut and washer
2	18045	Strut
3	—	Dust boot (part of 18045)
4	—	Jounce bumper (part of 18045)
5	18183	Upper mount assembly
6	5310	Spring

Disassembly and Assembly

⚠ WARNING: All vehicles are equipped with gas-pressurized struts which will extend unassisted. Do not apply heat or flame to the struts during removal or component servicing. Failure to follow these instructions can result in personal injury.

⚠ WARNING: The strut and spring assembly is under extreme load. Do not attempt to disassemble the strut and spring assembly without using a spring compressor. Failure to follow these instructions can result in personal injury.

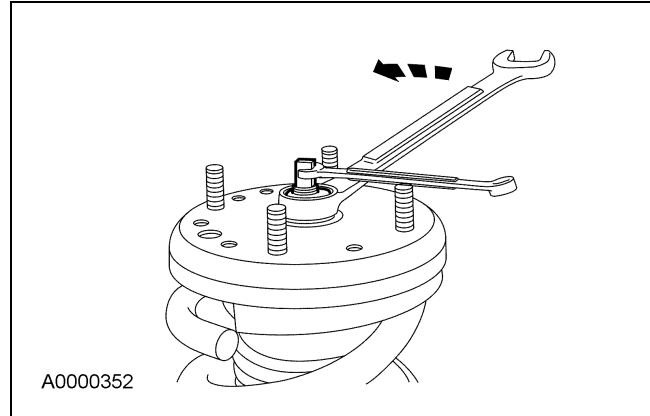
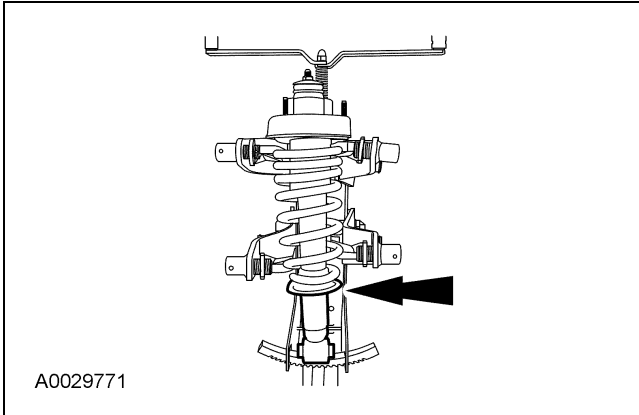
⚠ CAUTION: Suspension fasteners are critical parts because they affect performance of vital components and systems and their failure can result in major service expense. A new part with the same part number must be installed if installation is necessary. Do not use a new part of lesser quality or substitute design. Torque values must be used as specified during reassembly to make sure of correct retention of these parts.

1. Remove the strut and spring assembly. For additional information, refer to Strut and Spring Assembly in this section.

DISASSEMBLY AND ASSEMBLY (Continued)

2. **NOTE:** If installing a new spring, make sure the part number is correct. Refer to the vehicle certification (VC) label for the correct spring code. Refer to Section 100-01 to convert the spring code to a part number.

Using a suitable spring compressor, compress the spring until the tension is released from the strut.



4. If necessary, remove the dust boot and jounce bumper.
5. Remove the upper mount assembly.
6. Carefully release the tension on the spring compressor and remove the spring.
7. To assemble, reverse the disassembly procedure.
 - Align the notch on the upper bearing assembly with the clevis at the bottom of the strut.

3. While holding the strut rod, remove and discard the strut rod nut and washer and remove the strut.

- To install, tighten to 62 Nm (46 lb-ft).