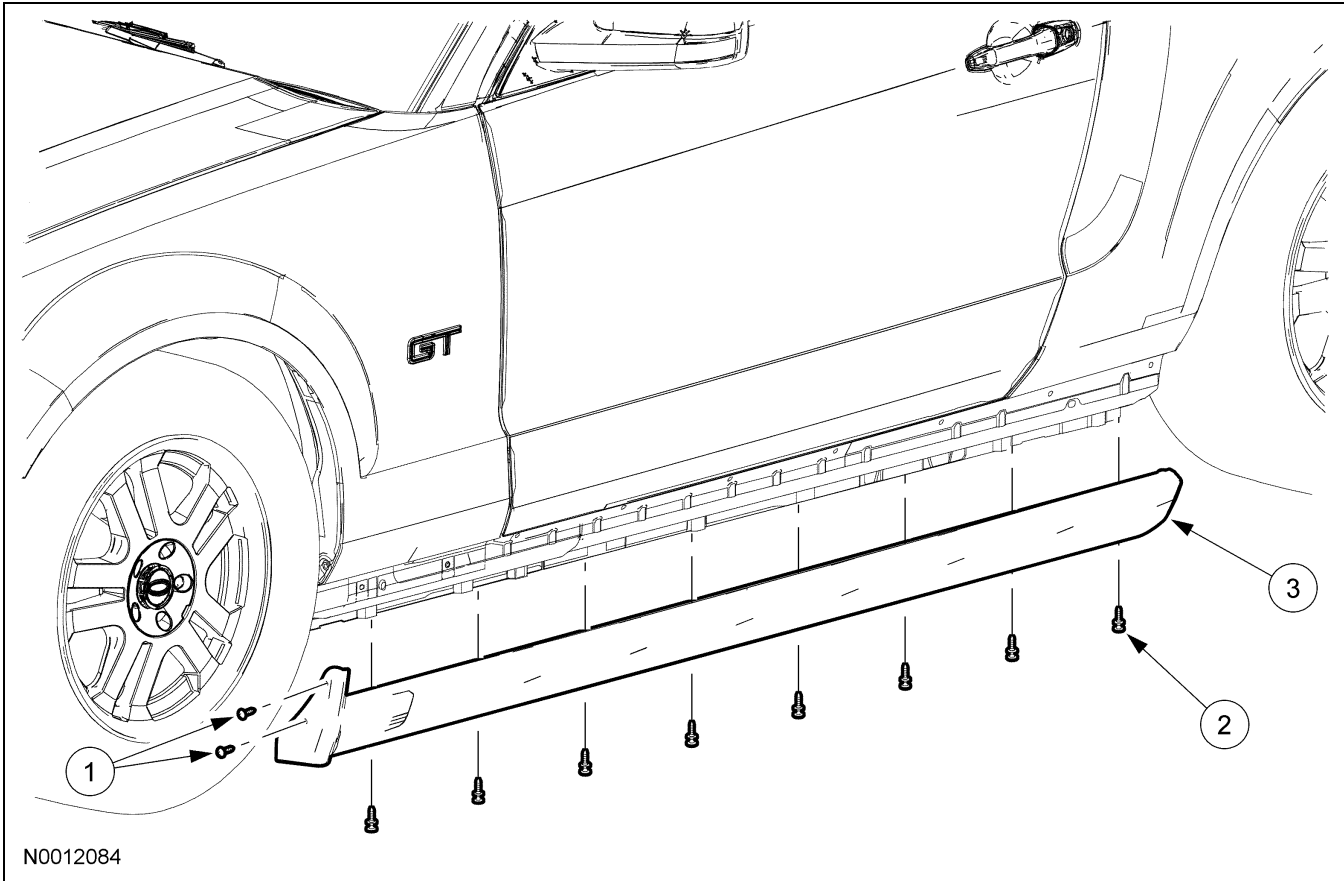


REMOVAL AND INSTALLATION

Rocker Panel Moulding



Item	Part Number	Description
1	W709176-S	Front rocker panel-to-fender pin-type retainers (2 required each side)
2	W710532-S	Rocker panel moulding pin-type retainers (8 required each side)
3	6310176/ 6310177	Rocker panel moulding (RH/LH)

Removal and Installation

1. Remove the 2 front rocker panel moulding-to-fender pin-type retainers.
2. Remove the 8 rocker panel pin-type retainers.
3. Using a suitable tool, release the 8 hidden pin-type retainers and remove the rocker panel moulding.
4. To install, reverse the removal procedure.