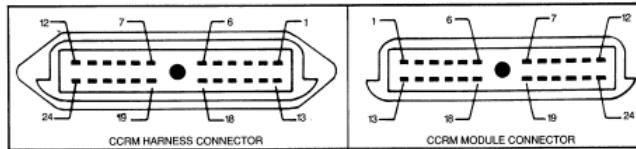
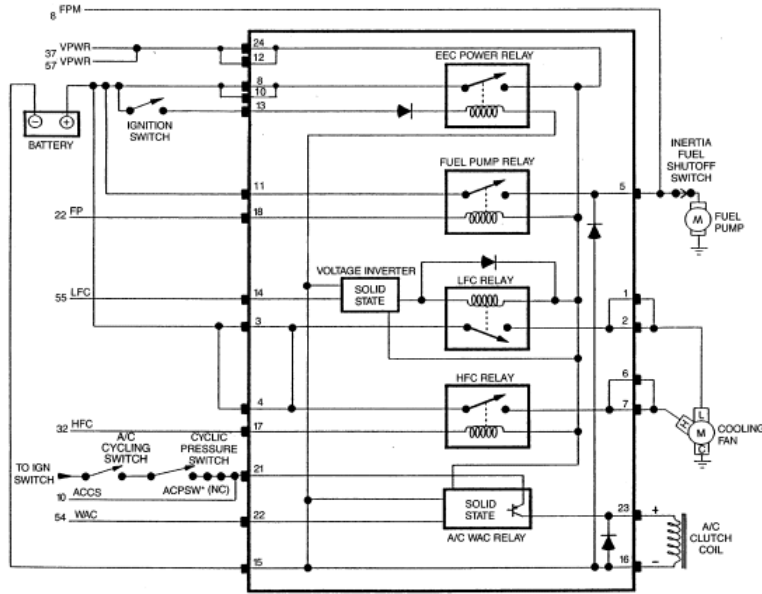


### Constant Control Relay Module (CCRM) Schematic—5.0L SFI

Mustang



\*HIGH PRESSURE CONTACTS OF THE "DUAL FUNCTION" A/C PRESSURE SWITCH (ACPSW)

A20254-B